

INCH-POUND

A-A-50358C

December 5, 2000

SUPERCEDING

A-A-50358B

10 December 1990

COMMERCIAL ITEM DESCRIPTION

COVERALLS, DISPOSABLE, GENERAL PURPOSE

The General Services Administration has authorized the use of this Commercial Item Description in Preference to MIL-C-29133.

1. **SCOPE.** This Commercial Item Description covers the requirements for a white nonwoven disposable coverall.

2. **CLASSIFICATION.** The disposable coveralls will be one type in the following sizes:

X- Small, Small, Medium, Large, X-Large, XX-Large

3. **SALIENT CHARACTERISTICS**

3.1 **Description.** The one piece white disposable coveralls shall have a collar, slide fastener front opening and raglan or set in long sleeves.

Beneficial comments, (recommendations, additions, deletions) and any data which may be of use in approving this document should be addressed to: Defense Supply Center Philadelphia, Clothing and Textiles Directorate, Attn: DSCP-COCT, 700 Robbins Avenue, Philadelphia, PA 19111-5096.

AMSC N/A

FSC 8415

DISTRIBUTION STATEMENT A. *Approved for public release; distribution is unlimited.*

A-A-50358C

3.1.1 Seams and stitching. The seam type, stitch gauge and stitch length shall produce adequate durable seams throughout the garment.

3.2 Material. The material shall be nonwoven cloth and the fibers shall be staple, or filament, composed of polypropylene, polyester, rayon, cotton or a blend thereof. The cloth shall be processed by spunbonded, meltblown, or hydroentangled methods; or a laminate/composite thereof. The white cloth shall meet the following physical requirements.

TABLE I. Physical Requirements

Characteristics	Finished Fabric	Test method
Weight-oz/yd ² minimum maximum	1.4 3.0	ASTM-D3776
Breaking Strength-lbs (N) Minimum Machine direction Cross direction	5.0 5.0	ASTM-D5035
Tear strength- lbs (N) Minimum Machine direction Cross direction	5.0 5.0	ASTM D1117
Hydrostatic resistance (min.)	3.94	AATCC-127
Stiffness in-lbs (max.)	.0038	ASTM-D747
Thickness (mm)	25.0	ASTM-D1777
Air permeability-ft ³ /min/ft ²	30.00	ASTM-D737

3.3 Thread. The sewing thread shall be commercial type, suitable for the purpose intended. The color of the thread shall be white or natural.

3.4 Slide Fastener. The front closing slide fastener shall be of any lightweight type suitable for the purpose intended.

3.5 Label/markings. A commercial type label is acceptable provided that an additional label containing the contract number and NSN is placed directly on the coverall by direct printing, marking, stamping or stenciling or may be printed on a pressure-sensitive label on the inside of the garment.

3.6 Patterns. The government shall furnish a single size, complete set, or a master pattern with grade rules, to maintain uniformity and consistency in manufacturing. The pattern generally provides a seam allowance of 3/8 inch for safety stitched and joining seams. Commercial patterns may be used in lieu of government patterns, provided they conform to the cited design and finished measurements.

3.7 Sizes and Measurements. The finished coveralls shall conform to the measurements below. All measurements and tolerances are expressed in inches.

A-A-50358C

TABLE II. Measurements

<u>Sizes</u>	Chest (A) ($\frac{1}{2}$ circumference)	Leg (B) inseam length	Sleeve (C) length	Body (D) length	Underarm width (E)	Leg (F) opening	Slide (G) fastener
X-Small	20	31-1/2	33-1/2	35-1/2	20-3/4	19-1/2	27
Small	22	32-1/2	34-1/2	36-1/2	21-3/4	19-1/2	29
Medium	24	33-1/2	35-1/2	38	23-1/4	20-1/4	30
Large	26	34-1/2	36-1/2	40	24-1/2	21	31
X-Large	28	35-1/2	37-1/2	41	25-3/4	21-3/4	32
XX- Large	30	37	38-1/2	43	27-1/4	21-3/4	33
	$\pm 1/2$	$\pm 3/4$	± 1	± 1	$\pm 1/2$	$\pm 1/2$	$\pm 1/2$

Note: Refer to Figure 1 for A, B, C, D, E, F, and G.

3.8 Label/tag. Each item shall be individually bar-coded with a tag for personal clothing items. The non-permanent tags shall be attached to each item, and shall be clearly legible and readable by a scanner. The bar coding element shall be a 13 digit national stock number (NSN). The bar-code type shall be a medium to high code density and shall be located so that it is completely visible on the item when it is folded and/or packaged as specified.

4. REGULATORY REQUIREMENTS

4.1. Recycled, recovered, or environmentally preferable materials. Recycled, recovered, or environmentally preferable materials should be used to the maximum extent possible provided that the material meets or exceeds the operational and maintenance requirements, and promotes economically advantageous life cycle costs.

5. QUALITY ASSURANCE PROVISIONS

5.1 Product Conformance. The products provided shall meet the salient characteristics of this CID, conform to the producer's own drawings, specifications, standards and quality assurance practices, and be the same product offered for sale in the commercial market. The government reserves the right to require proof of such conformance.

5.1.2 Visual examination. Each liner shall be examined for the defects listed below:

<u>Material defects</u>	<u>Major</u>	<u>Minor</u>
Cloth-Any hole, cut, tear, mend, burn, needle chew, any imbedded foreign matter; overall uncleanness; objectionable odor.	101	
Slide fastener-omitted, malformed or damaged.	102	

A-A-50358C

<u>Seams and stitching</u>		
-End of stitching not caught in other seams or not securely backstitched	103	
-Pleated or puckered seam		201
-Stitching excessively loose or tight	104	
-Thread breaks not securely overstitched for a 1/2 inch distance	105	
-Open seam more than 1 inch	106	
-Open seam less than 1 inch		202
<u>Dimensions</u>		
-Measurement of item not as specified	106	
<u>Labels</u>		
-Any information illegible, incorrect, incomplete, or missing	107	

5.2 Acceptance criteria. Acceptance criteria shall be as specified in the contract or purchase order.

6. PACKAGING

6.1 Preservation, packing, and marking. The preservation, packing, and marking shall be as specified in the contract or order.

7. NOTES

7.1 Source of Government documents. Copies of military and Federal documents are available from:

Standardization Documents Order Desk
 Bldg. 4D
 700 Robbins Avenue
 Philadelphia, PA 19111-5094

MILITARY INTERESTS:

CUSTODIANS
 Navy – NU

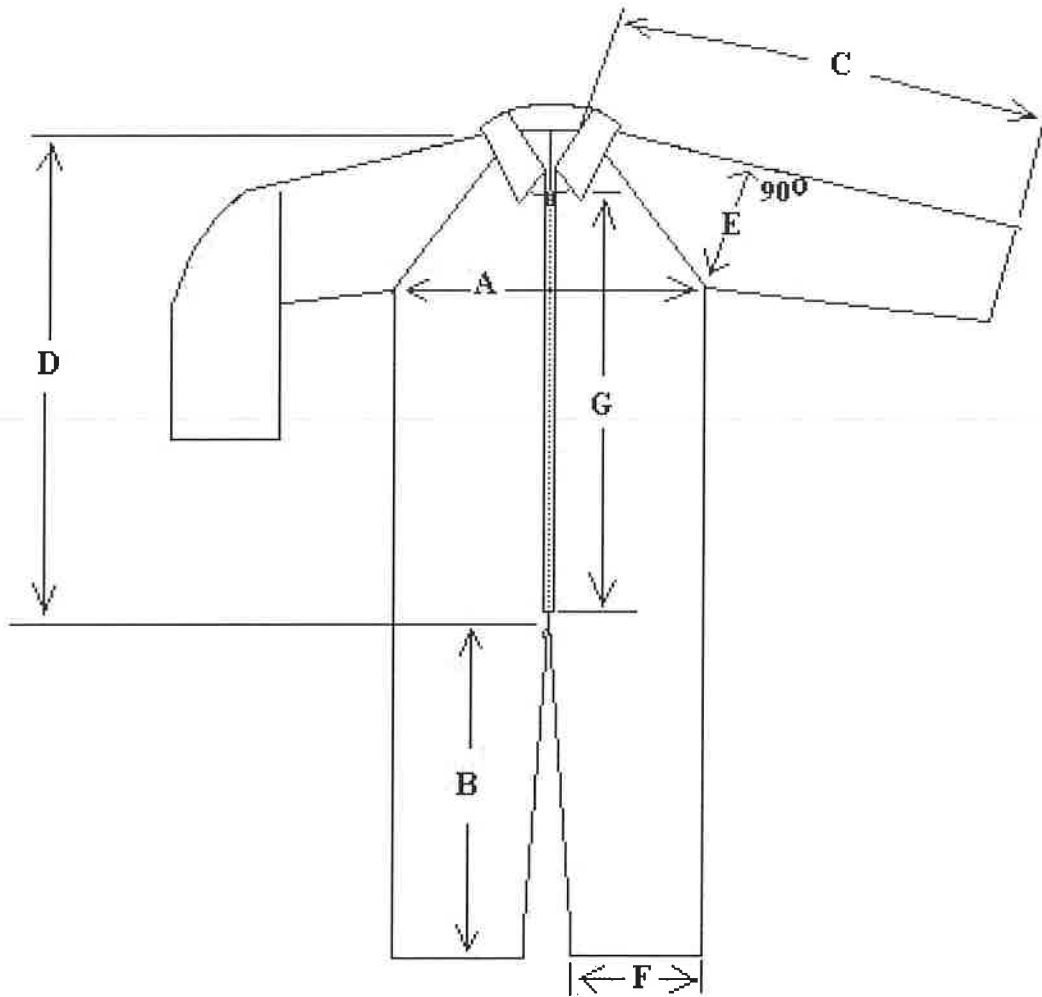
CIVIL AGENCY COORDINATING ACTIVITY
 GSA - FSS

REVIEW
 Navy - SH

PREPARING ACTIVITY:
 DLA - CT

(Project number 8415- 0190)

A-A-50358C



Coveralls, Disposable General Purpose